

M8 ADAPTOR ON TOP OF MSUD VALVE PLUG FORM B 10 MM

Without electronics 60 V AC/DC

Form B (10 mm) – M8, connector top entry
max. 60 V AC/DC
without components
3-pole

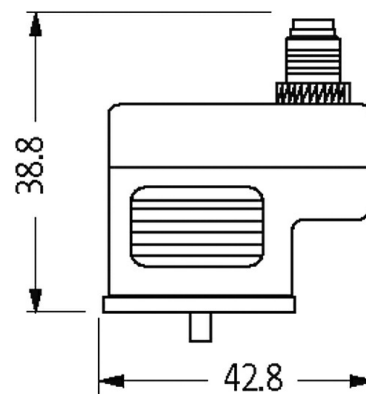
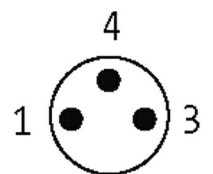
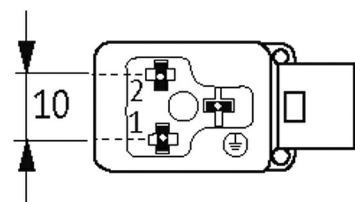
Plastic housings with good resistance against chemicals and oils.

The resistance to aggressive media should be individually tested for your application. Further details on request.

[Link to Product](#)**Illustration**

Female

Male



Depth: 21.5 mm

Product may differ from Image

Approvals



Form

Form 88921

General data

Pollution Degree 3

Mounting method inserted, tightened

Temperature range -25...+85 °C

Technical Data

Operating voltage max. 60 V AC/DC

Rated surge voltage 1.5 kV

Operating current per contact max. 4 A

Configuration 2 contacts + PE

Material group IEC 60664-1, category I

LED display no

Locking of ports M3/M8 (recommended torque 0.4 Nm)

Protection IP67 inserted and tightened (EN 60529)

Locking material Steel (galvanized)

Commercial data

country of origin CZ

customs tariff number 85366990

EAN 4048879115964

eClass 27143423

Packaging unit 1